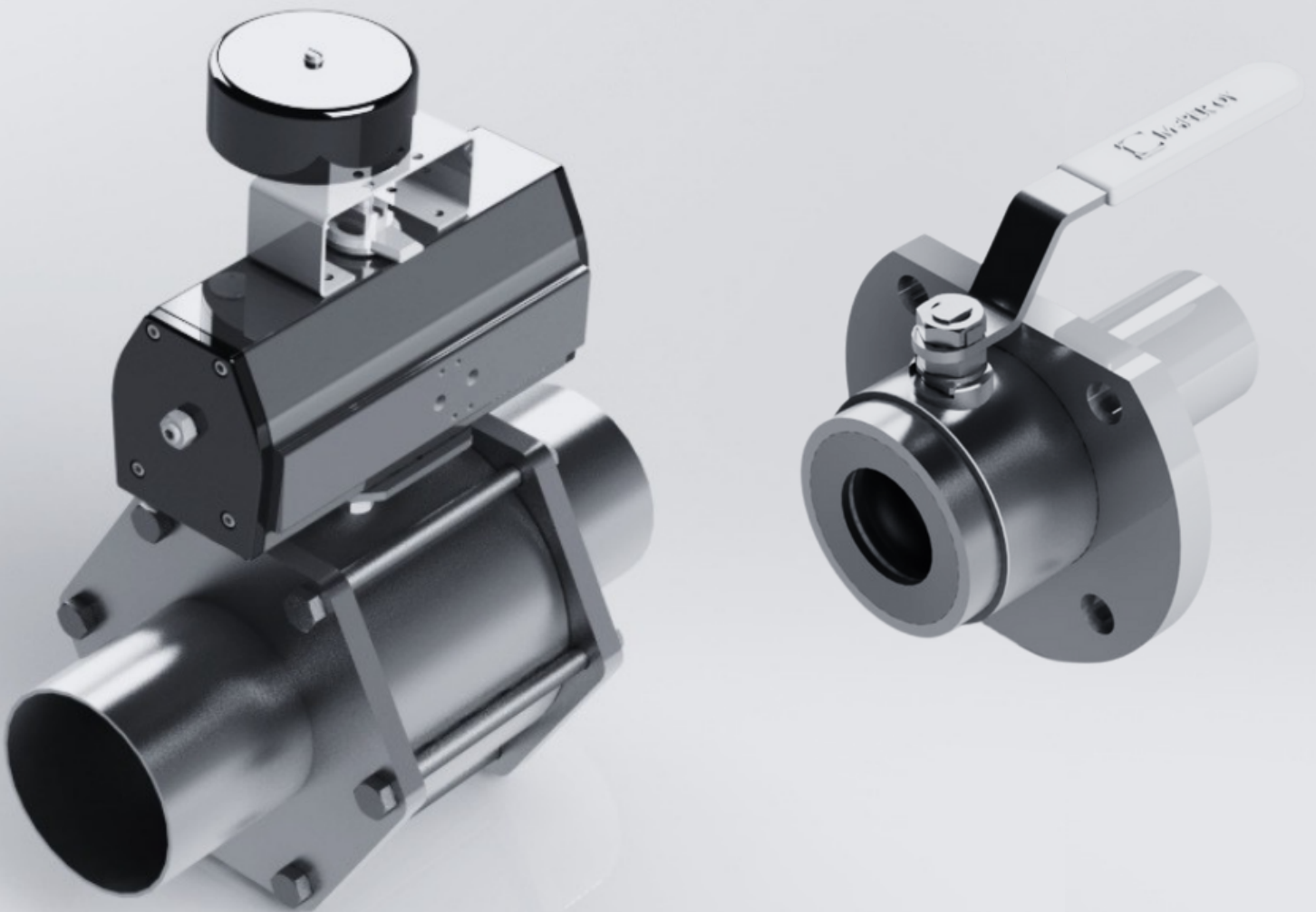




VENTTIILIT & TOIMILAITTEET
VALVES & ACTUATORS



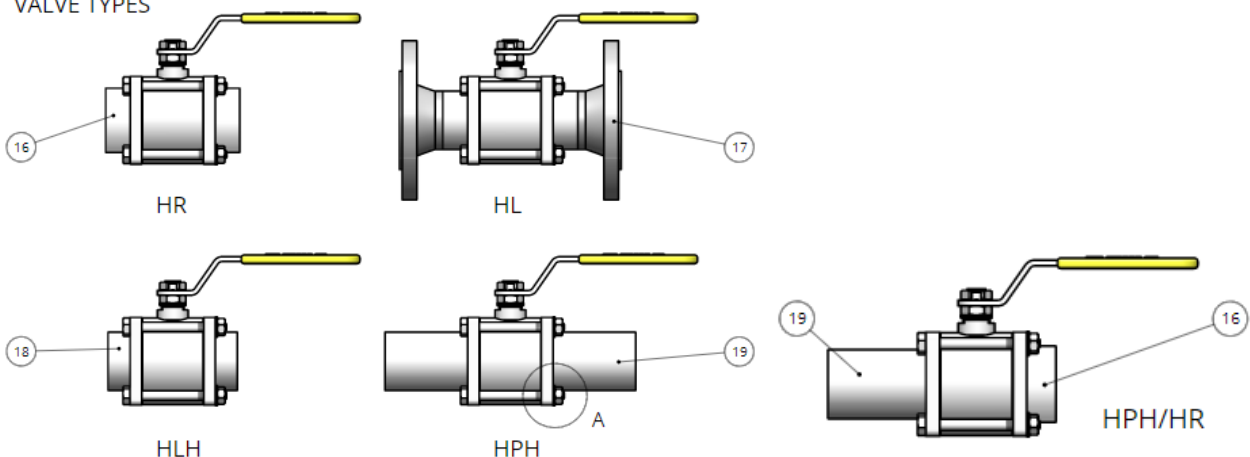
Kuukuja 12, 33420 Tampere
+358 40 867 3440
myynti@maper.fi
www.maper.fi



SISÄLLYSLUETTELO / TABLE OF CONTENTS

Maper Oy / Maper Ltd	2
Sertifikaatit / Certificates	3
Maper venttiilit & toimilaitteet / Maper valves & actuators	4
Pitkät hitsauspäät / Long butt weld ends	4
Lyhyet hitsauspäät / Short butt weld ends	5
Kierrepäät / Thread connection	6
Pitkä hitsauspää - Kierrepää / Long butt weld end - Thread connection	7
Laippayhde / Flange connection	8
Pohjaventtiilit / Bottom valves	9
Toimilaitteet / Actuators	10
Räjätyskuvat / Parts list	11
Palloventtiilit / Ball valves DN 10-50	11
Palloventtiilit / Ball valves DN 65-100	12
Pohjaventtiilit / Bottom valves DN 50-80	13

VALVE TYPES



M A P E R O Y

Maper Oy on vuodesta 1989 lähtien toiminut kotimainen venttiilivalmistaja, ja tehtaamme sijaitsee hyvien liikenneyhteyksien varrella Tampereella. Keskeisenä markkina-alueenamme toimivat Pohjoismaat, Eurooppa ja Aasia.

Tuotannossamme valmistuvat tehokkaasti toimilaitteilla ja rajoilla olevat palloventtiilit sekä kehittämämme säätölaitteet. Toimitamme tuotteitamme usealle eri teollisuuden alalle, kuten paperi-, ja selluteollisuuteen, sekä elintarvike-, ja energiateollisuuteen.

Haponkestävät palloventtiilimme sopivat käyttökohteisiin, joissa on syövyttävät väliaineet tai ulkoinen korroosioympäristö. Palloventtiilimme ovat saatavana joko käsikäyttöisinä, säätö-, lukitus-, pneumaattisin tai sähköisin toimilaittein ja tarvittavin lisävarustein. Saatavilla olevat yhteet ovat pitkä hitsauspää, lyhyt hitsauspää, kierrepää, laippapää, sekä näiden yhdistelmät.

Maper Oy:n tavoite on olla laadultaan johtava kotimainen venttiili-, ja laitevalmistaja. Luotettavuuden, laadun ja asiakastyytyväisyyden ylläpitämisessä ja kehittämisessä meitä ohjaa ISO 9001:2015 sertifioitu laadunhallintajärjestelmämme.

M A P E R L T D

Maper Oy has operated as a valve manufacturer since 1989, and our factory is located along good transport links in Tampere, Finland. Our main market areas are the Nordic countries, Europe and Asia.

Maper manufactures high-quality 3-piece ball valves as well as mechanical actuators for industrial applications. We deliver our products to several different industries, such as the pulp and paper industry, energy industry and food & beverage companies.

Maper valves are suitable for applications where high flow capacity and tight shutoff are required. Our ball valves can be operated manually, in addition to which we can offer valve actuators such as pneumatic, electric, and mechanical actuators and the necessary accessories. Available connections for the valves are thread connection, flange connection, butt weld ends with long or short end and the combinations of the previous ones.

The main goal of Maper's operations is to be the leading valve and device manufacturer in Nordic countries in terms of quality. In maintaining and developing reliability, quality and customer satisfaction, we are guided by our ISO 9001:2015 certified quality management system.

CERTIFICATE



ISO 9001:2015

DEKRA Industrial Oy hereby certifies that the company

Maper Oy

Scope of certification:

Production and sales of valves and actuators

Certified location:

Kuukuja 12, FI-33420 Tampere, Finland

has established and maintains a quality management system according to the above-mentioned standard. The conformity was adduced with report no.: ALF44785.

This certificate is valid from 22.2.2022 until 31.12.2025 (original issued 16.10.2021)

Certificate registration no: S053 - 278/1

A handwritten signature in blue ink, appearing to read 'Matti Andersson'.

Matti Andersson
Managing Director
22.2.2022



PALLOVENTTIILI | PITKÄT HITSAUSPÄÄT BALL VALVE | LONG BUTT WELD ENDS

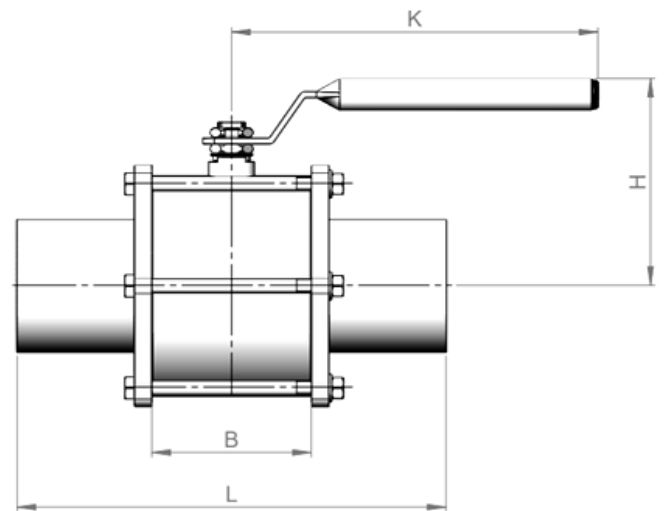
MODEL	HPH
DN-AREA	10-100
BODY	AISI316L
BALL/SHAFT	AISI316L
HANDLE	AISI316
HEXAGON NUT	A4-80
SEALING	PTFE/PTFE-C
LOCKABLE	HPH/L

PRESSURE RANGE
DN 10-50 PN 64 - DN 65-100 PN 40

MAX TEMPERATURE
PTFE 200C/PTFE-C 250C

MODEL	TPH
DN-AREA	10-50
BODY	AISI316L
BALL/SHAFT	AISI316L
HANDLE	GALVANIZED STEEL
HEXAGON NUT	GALVANIZED STEEL
CONNECTION PART	S3355
SEALING	PTFE/PTFE-C
LOCKABLE	TPH/L

MODEL	TPH
DN-AREA	65-100
BODY	S3355
BALL/SHAFT	AISI316L
HANDLE	GALVANIZED STEEL
HEXAGON NUT	GALVANIZED STEEL
CONNECTION PART	S3355
SEALING	PTFE/PTFE-C
LOCKABLE	TPH/L



DN	10	15	20	25	32	40	50	65	80	100
KG	0,7	0,8	1,1	1,5	2,1	2,9	3,5	9,5	12,5	23,0
L	210	210	230	230	230	250	260	290	330	370
B	30,7	30,7	34,1	39,8	48,4	56,0	64,0	88,2	103	137
H	67	67	72	75	99	104	110	149	158	178
K	158	158	158	158	194	194	194	266	316	316

PALLOVENTTIILI | LYHYET HITSAUSPÄÄT

BALL VALVE | SHORT BUTT WELD ENDS

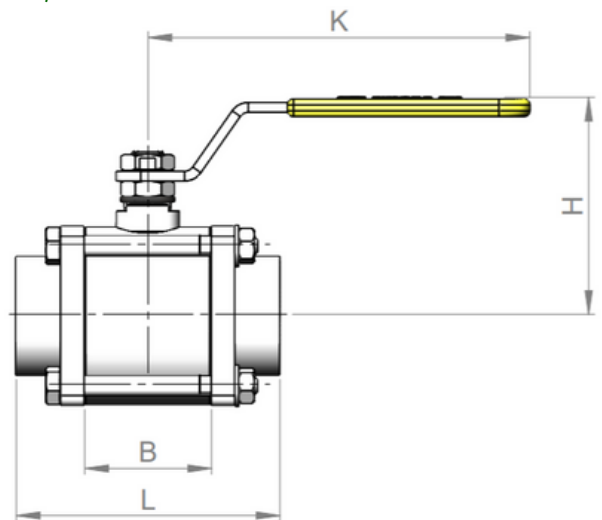
MODEL	HLH
DN-AREA	10-100
BODY	AISI316L
BALL/SHAFT	AISI316L
HANDLE	AISI316
HEXAGON NUT	A4-80
SEALING	PTFE/PTFE-C
LOCKABLE	HLH/L

PRESSURE RANGE
DN 10-50 PN 64 - DN 65-100 PN 40

MAX TEMPERATURE
PTFE 200C/PTFE-C 250C

MODEL	TLH
DN-AREA	10-50
BODY	AISI316L
BALL/SHAFT	AISI316L
HANDLE	GALVANIZED STEEL
HEXAGON NUT	GALVANIZED STEEL
CONNECTION PART	S3355
SEALING	PTFE/PTFE-C
LOCKABLE	TLH/L

MODEL	TLH
DN-AREA	65-100
BODY	S3355
BALL/SHAFT	AISI316L
HANDLE	GALVANIZED STEEL
HEXAGON NUT	GALVANIZED STEEL
CONNECTION PART	S3355
SEALING	PTFE/PTFE-C
LOCKABLE	TLH/L



DN	10	15	20	25	32	40	50	65	80	100
KG	0,6	0,6	0,9	1,3	2,1	2,8	3,5	8,2	10,2	19,2
L	100	100	110	90	96	110	134	200	210	246
B	30,7	30,7	34,1	39,8	48,4	56,0	64,0	88,2	103	137
H	67	67	72	75	99	104	110	149	158	178
K	158	158	158	158	194	194	194	266	316	316

PALLOVENTTILI | KIERREPÄÄT BALL VALVE | THREAD CONNECTION

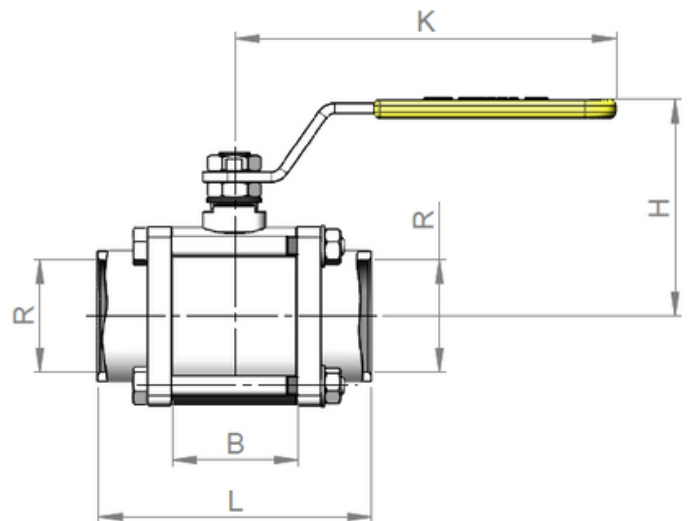
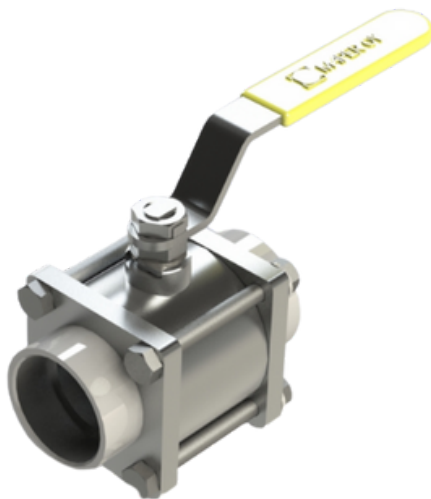
MODEL	HR
DN-AREA	10-100
BODY	AISI316L
BALL/SHAFT	AISI316L
HANDLE	AISI316
HEXAGON NUT	A4-80
SEALING	PTFE/PTFE-C
LOCKABLE	HR/L

PRESSURE RANGE
DN 10-50 PN 64 - DN 65-100 PN 40

MAX TEMPERATURE
PTFE 200C/PTFE-C 250C

MODEL	TR
DN-AREA	10-50
BODY	AISI316L
BALL/SHAFT	AISI316L
HANDLE	GALVANIZED STEEL
HEXAGON NUT	GALVANIZED STEEL
CONNECTION PART	S3355
SEALING	PTFE/PTFE-C
LOCKABLE	TR/L

MODEL	TR
DN-AREA	65-100
BODY	S3355
BALL/SHAFT	AISI316L
HANDLE	GALVANIZED STEEL
HEXAGON NUT	GALVANIZED STEEL
CONNECTION PART	S3355
SEALING	PTFE/PTFE-C
LOCKABLE	TR/L



DN	10	15	20	25	32	40	50	65	80	100
KG	0,7	0,7	1,0	1,3	2,1	2,8	3,5	8,7	11,2	20,8
L	143	143	155	160	171	122	139	174	201	248
B	30,7	30,7	34,1	39,8	48,4	56,0	64,0	88,2	103	137
H	67	67	72	75	99	104	110	149	158	178
K	158	158	158	158	194	194	194	266	316	316
R	3/8"	1/2"	3/4"	1"	1 1/4"	1 1/2"	2"	2 1/2"	3"	4"

PALLOVENTTIILI | PITKÄ HITSAUSPÄÄ / KIERREPÄÄ BALL VALVE | LONG BUTT WELD END / THREAD CONNECTION

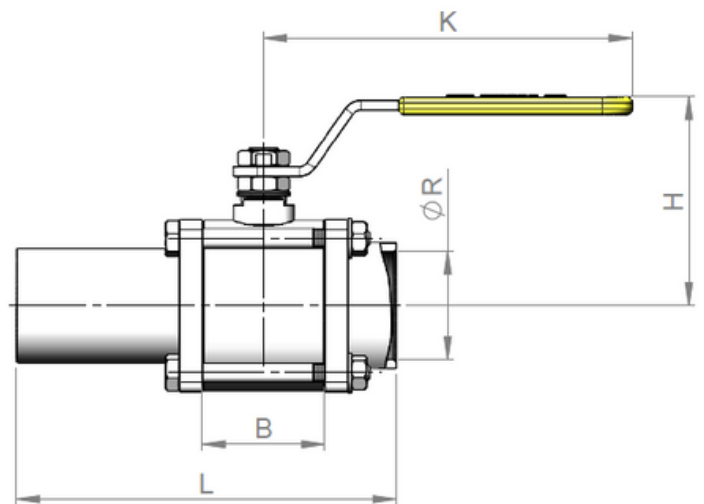
MODEL	HPH/HR
DN-AREA	10-100
BODY	AISI316L
BALL/SHAFT	AISI316L
HANDLE	AISI316
HEXAGON NUT	A4-80
SEALING	PTFE/PTFE-C
LOCKABLE	HPH/HR-L

PRESSURE RANGE
DN 10-50 PN 64 - DN 65-100 PN 40

MAX TEMPERATURE
PTFE 200C/PTFE-C 250C

MODEL	TPH/TR
DN-AREA	10-50
BODY	AISI316L
BALL/SHAFT	AISI316L
HANDLE	GALVANIZED STEEL
HEXAGON NUT	GALVANIZED STEEL
CONNECTION PART	S3355
SEALING	PTFE/PTFE-C
LOCKABLE	TPH/TR-L

MODEL	TPH/TR
DN-AREA	65-100
BODY	S3355
BALL/SHAFT	AISI316L
HANDLE	GALVANIZED STEEL
HEXAGON NUT	GALVANIZED STEEL
CONNECTION PART	S3355
SEALING	PTFE/PTFE-C
LOCKABLE	TPH/TR-L



DN	10	15	20	25	32	40	50	65	80	100
KG	0,7	0,7	1,0	1,3	2,1	2,9	3,5	8,9	11,4	20,9
L	143	143	155	160	171	186	200	232	266	309
B	30,7	30,7	34,1	39,8	48,4	56,0	64,0	88,2	103	137
H	67	67	72	75	99	104	110	149	158	178
K	158	158	158	158	194	194	194	266	316	316
R	3/8"	1/2"	3/4"	1"	1 1/4"	1 1/2"	2"	2 1/2"	3"	4"

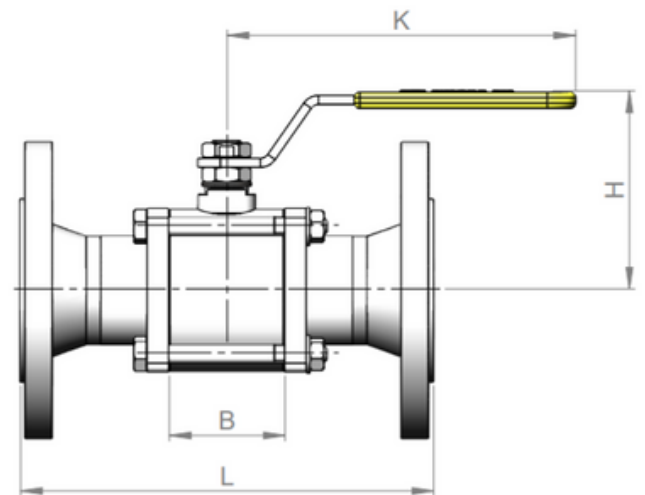
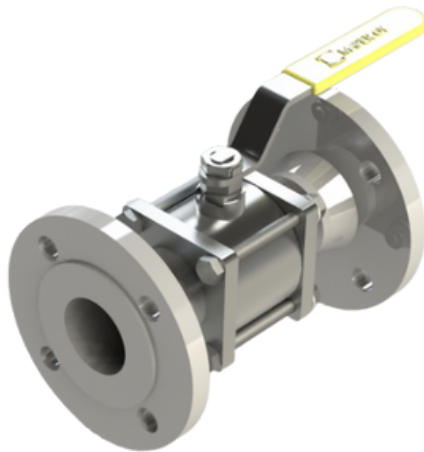
PALLOVENTTIILI | LAIPPAYHDE BALL VALVE | FLANGE CONNECTION

MODEL	HL
DN-AREA	15-100
BODY	AISI316L
BALL/SHAFT	AISI316L
HANDLE	AISI316
HEXAGON NUT	A4-80
SEALING	PTFE/PTFE-C
LOCKABLE	HL/L

PRESSURE RANGE	DN 15-100 PN 40
MAX TEMPERATURE	PTFE 200C/PTFE-C 250C

MODEL	TL
DN-AREA	15-50
BODY	AISI316L
BALL/SHAFT	AISI316L
HANDLE	GALVANIZED STEEL
HEXAGON NUT	GALVANIZED STEEL
CONNECTION PART	S3355
SEALING	PTFE/PTFE-C
LOCKABLE	TL/L

MODEL	TL
DN-AREA	65-100
BODY	S3355
BALL/SHAFT	AISI316L
HANDLE	GALVANIZED STEEL
HEXAGON NUT	GALVANIZED STEEL
CONNECTION PART	S3355
SEALING	PTFE/PTFE-C
LOCKABLE	TL/L



DN	15	20	25	32	40	50	65	80	100
KG	1,8	1,9	3,5	5,5	6,5	8,6	14,3	17,9	28,4
L	120	130	160	180	200	230	290	310	350
B	30,7	34,1	39,8	48,4	56,0	64,0	88,2	103	137
H	67	72	75	99	104	110	149	158	178
K	158	158	158	194	194	194	266	316	316

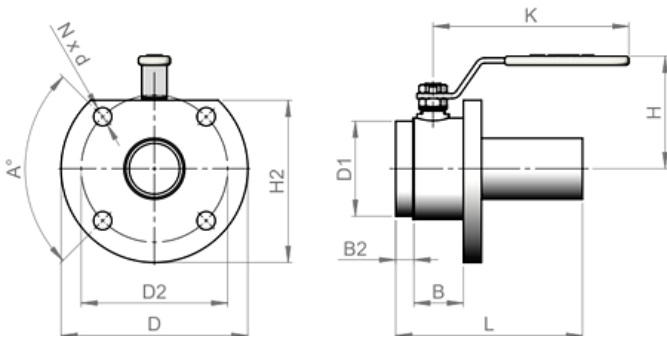
POHJAVENTTIILIT BOTTOM VALVES

MODEL	HL
DN-AREA	50-80
BODY	AISI316L
BALL/SHAFT	AISI316L
HANDLE	AISI316
HEXAGON NUT	A4-80
SEALING	PTFE/PTFE-C

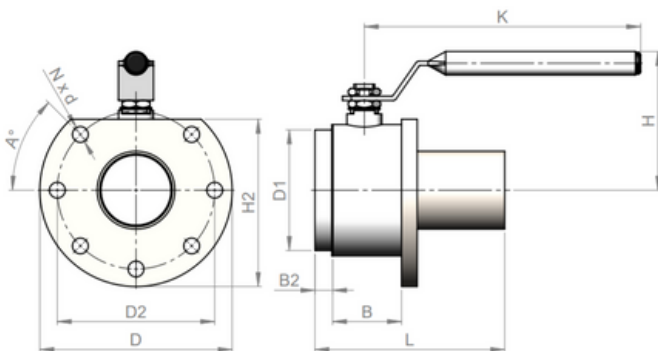
PRESSURE RANGE
DN 50-80 PN 16

MAX TEMPERATURE
PTFE 200C/PTFE-C 250C

DN 50



DN 80



DN	L	B	B2	H	H2	D	D1	D2	K	N X D	A	KG
50	185	49	18	110	160	185	93,8	145	194	4x18	90	5,9
80	217	78,7	20,2	160	191	220	137,8	180	316	7x18	45	10,5

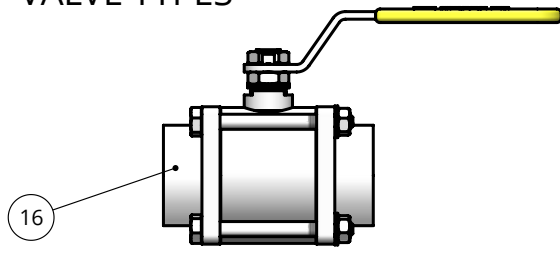
TOIMILAITTEET ACTUATORS



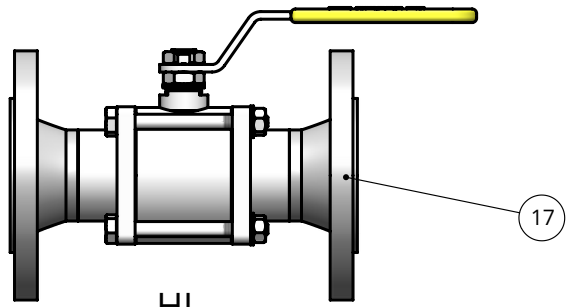
TYPE	FUNCTION	POSITION 0°=CLOSED 90°=OPEN	AIR PRESSURE SUPPLY							
			2,1bar 30 psi	2,8bar 40psi	3,5bar 50 psi	4,2bar 60psi	4,5bar 65psi	5,5bar 80psi	6bar 87psi	7bar 100psi
RC 210-DA	AIR OPENS	0°	13	17	21	25	27	35	38	44
	AIR CLOSES	60°	6	8	10	12	13	17	19	22
		90°	9	12	15	18	19	25	27	32
RC 220-DA	AIR OPENS	0°	26	34	42	51	55	70	76	88
	AIR CLOSES	60°	13	17	21	25	27	35	38	44
		90°	18	24	30	36	39	50	54	63
RC 230-DA	AIR OPENS	0°	48	64	80	96	103	133	145	165
	AIR CLOSES	60°	24	31	39	47	50	66	72	83
		90°	35	46	57	69	74	96	105	120
RC 240-DA	AIR OPENS	0°	98	130	162	195	209	266	290	340
	AIR CLOSES	60°	49	65	81	97	104	133	145	170
		90°	70	93	117	140	150	193	210	240
RC 250-DA	AIR OPENS	0°	150	200	250	300	321	413	450	530
	AIR CLOSES	60°	75	100	125	150	161	206	225	260
		90°	108	143	179	215	230	293	320	380
			SPRING ADAPTED TO AIR PRESSURE SUPPLY							
RC210-SR	AIR OPENS SPRING CLOSES	0°	7	9	12	14	15	19	20	24
		60°	3	4	5	6	6	8	9	10
		90°	4	5	6	7,5	8	10	11	13
		90°	6	8	10	12	13	16	18	21
		30°	3	4	5	6	6	8	9	10
		0°	4	6	7	8,5	9	11	12	14
RC 220-SR	AIR OPENS SPRING CLOSES	0°	15	19	24	29	31	39	41	48
		60°	6	8	10	12	13	16	18	21
		90°	8	10	12	15	16	20	22	26
		90°	13	17	21	25	27	33	37	43
		30°	6	8	10	12	13	16	18	21
		0°	9	11	14	17	18	23	25	29
RC 230-SR	AIR OPENS SPRING CLOSES	0°	27	36	45	54	58	72	78	92
		60°	12	15	19	23	25	31	33	39
		90°	15	19	24	29	31	39	41	48
		90°	24	31	39	47	51	63	69	81
		30°	12	15	19	23	25	31	33	39
		0°	17	22	27	33	36	44	47	55
RC 240-SR	AIR OPENS SPRING CLOSES	0°	55	73	92	110	119	147	158	185
		60°	24	31	39	47	51	63	68	80
		90°	29	39	48	58	63	77	84	98
		90°	48	64	80	96	104	128	140	163
		30°	24	31	39	47	51	63	68	80
		0°	33	44	55	66	71	88	96	115
RC 250-SR	AIR OPENS SPRING CLOSES	0°	85	113	142	170	184	227	245	290
		60°	37	49	62	74	80	99	105	125
		90°	45	60	75	90	97	120	130	155
		90°	75	100	125	150	162	200	215	255
		30°	37	49	62	74	80	99	105	125
		0°	50	67	83	100	108	133	150	175

DN 10-50

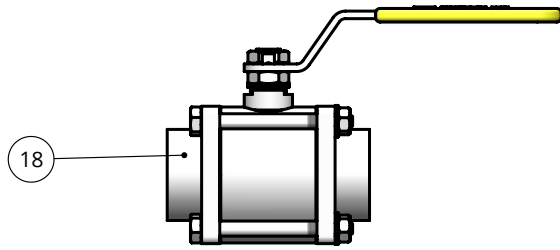
VALVE TYPES



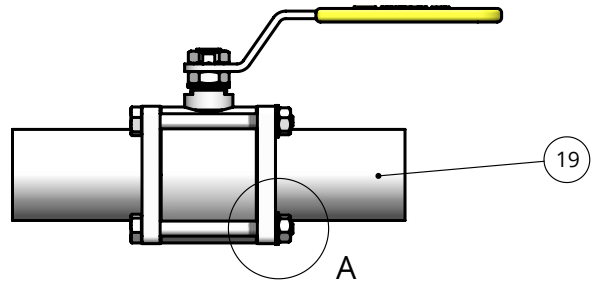
HR



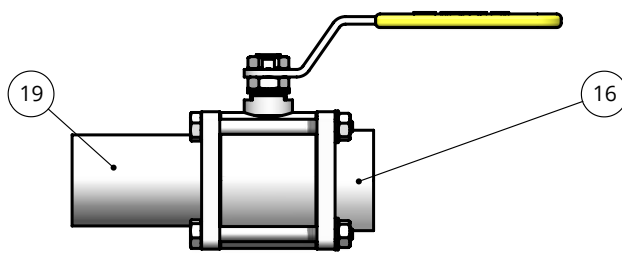
HL



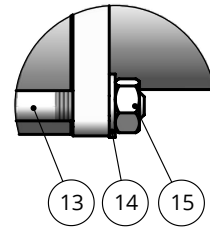
HLH



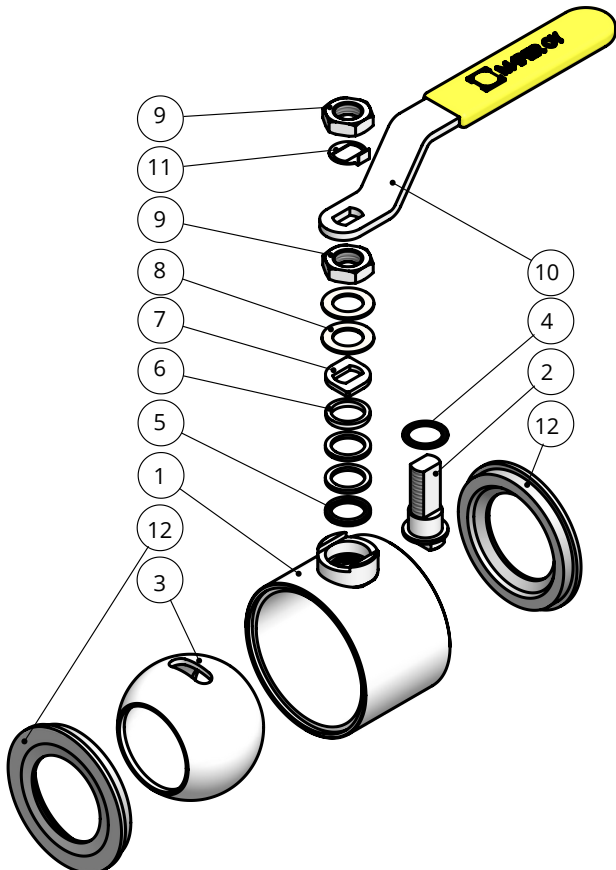
HPH



HPH/HR



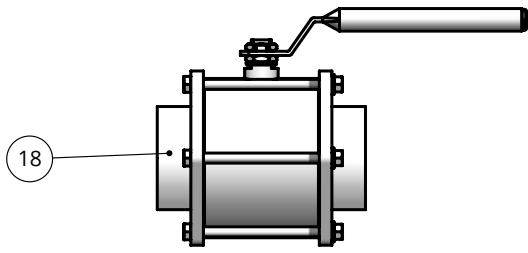
DETAIL A



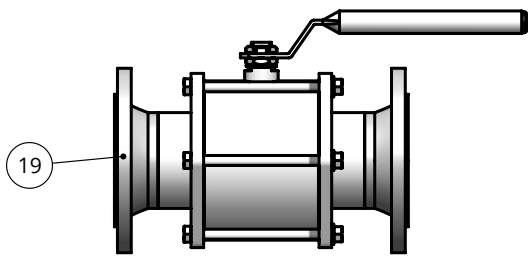
Part No	Description	Material
1	Body	1.4404
2	Stem	1.4404
3	Ball	1.4404
4	Thrust Washer	PTFE
5	Stem Packing	PTFE
6	Ring	1.4404
7	Locking washer	1.4404
8	Spring Washer	1.4404
9	Hex Nut	1.4404
10	Handle	1.4404/Rubber
11	Locking Washer	1.4404
12	Ball Seal	PTFE
13	Bolt	A4-80
14	Washer	A125
15	Nut	A4
16	Thread End	1.4404
17	Flange End	1.4404
18	Short Welding End	1.4404
19	Long Welding End	1.4404

DN 65-100

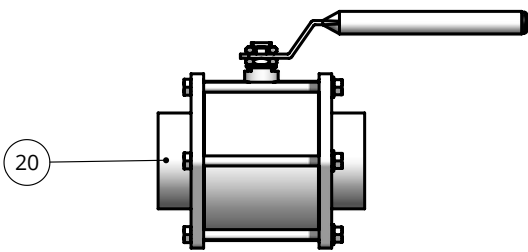
VALVE TYPES



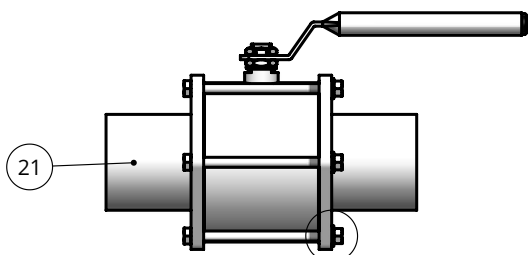
HR



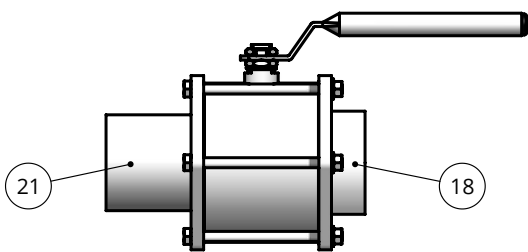
HL



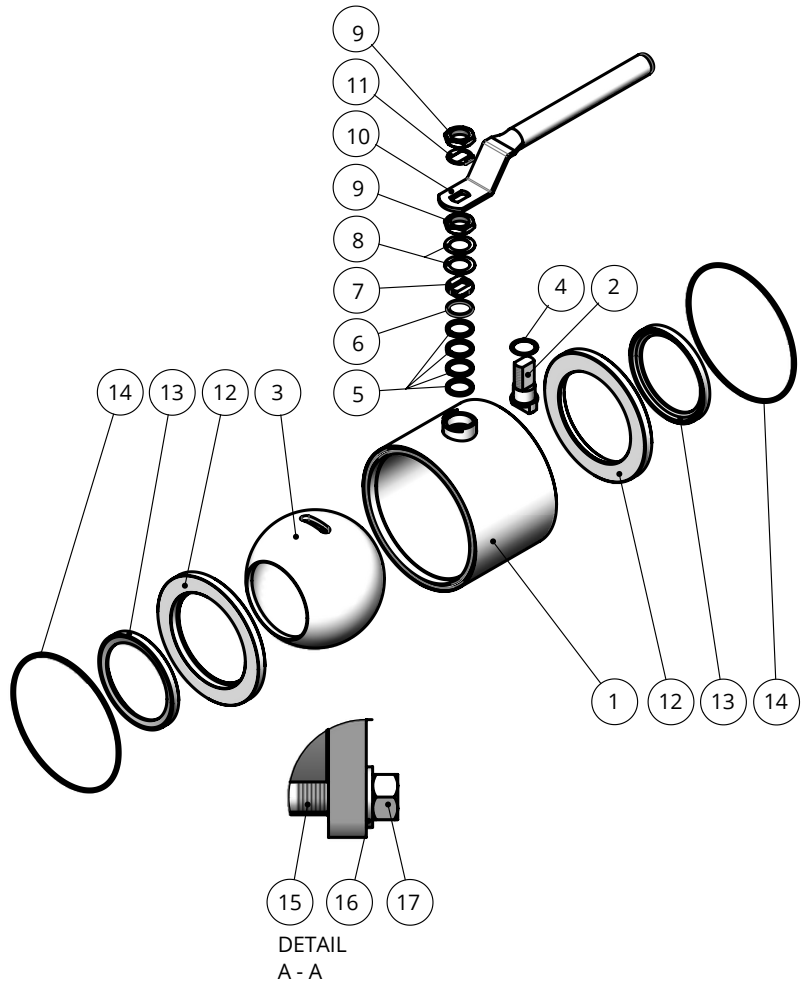
HLH



HPH



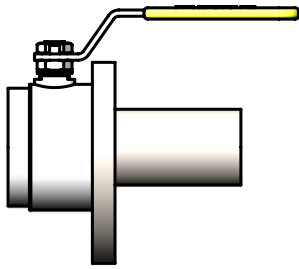
HPH/HR



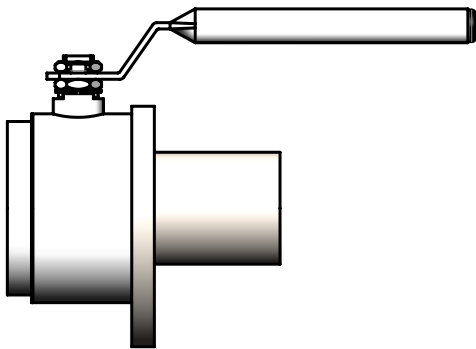
Part No	Description	Material
1	Body	1.4404
2	Stem	1.4404
3	Ball	1.4404
4	Thrust Washer	PTFE
5	Stem Packing	PTFE
6	Ring	1.4404
7	Locking washer	1.4404
8	Spring Washer	1.4404
9	Hex Nut	1.4404
10	Handle	1.4404/Rubber
11	Locking Washer	1.4404
12	Seal Support	1.4404
13	Ball Seal	PTFE/PTFE-C
14	O-Ring	PTFE
15	Washer	A125
16	Bolt	A4-80
17	Nut	A4
18	Thread End	1.4404
19	Flange End	1.4404
20	Short Welding End	1.4404
21	Long Welding End	1.4404

BOTTOM VALVES

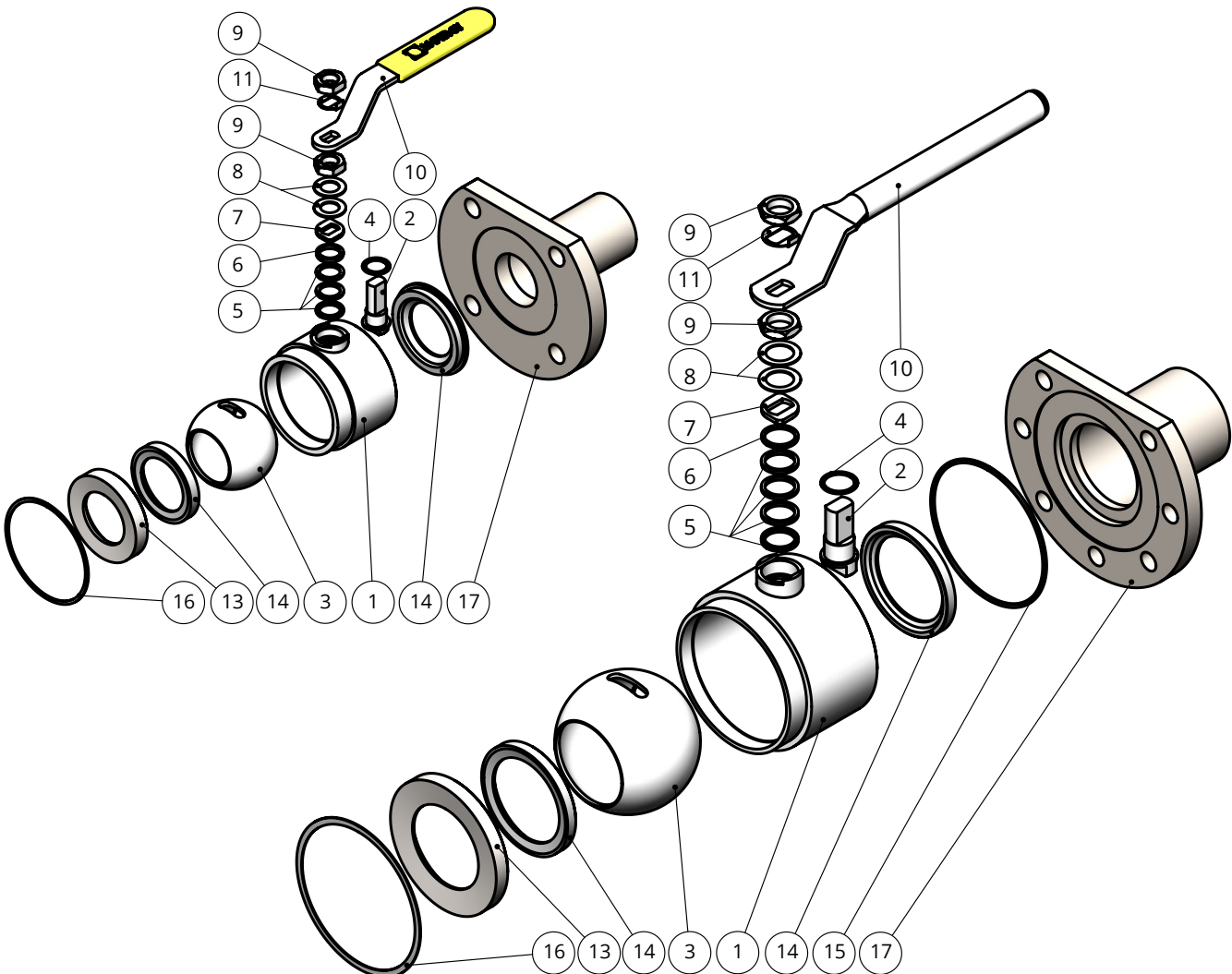
DN50

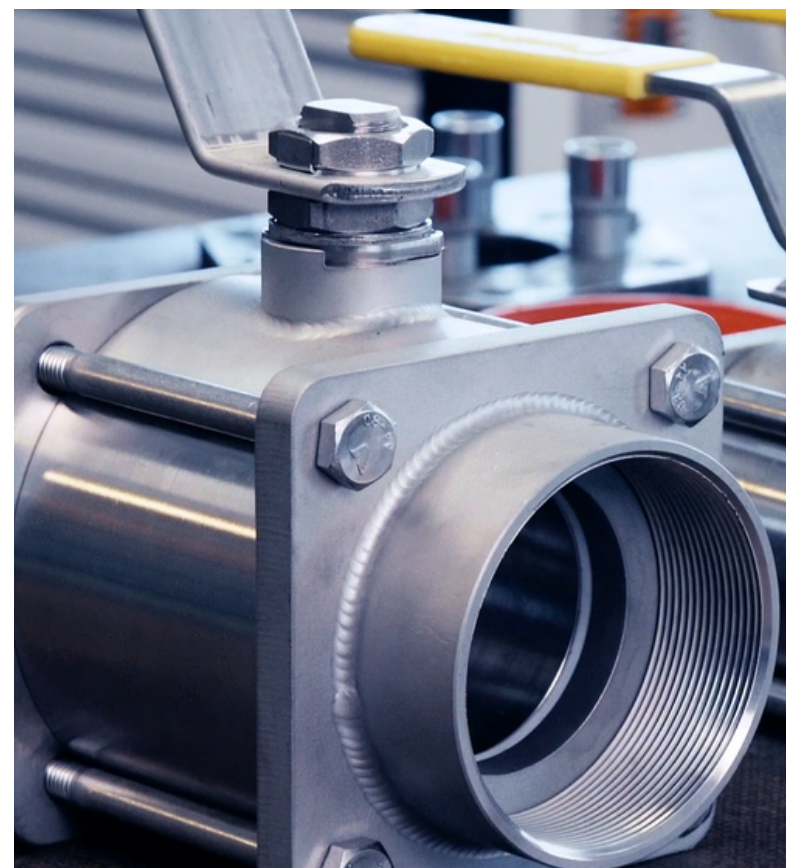
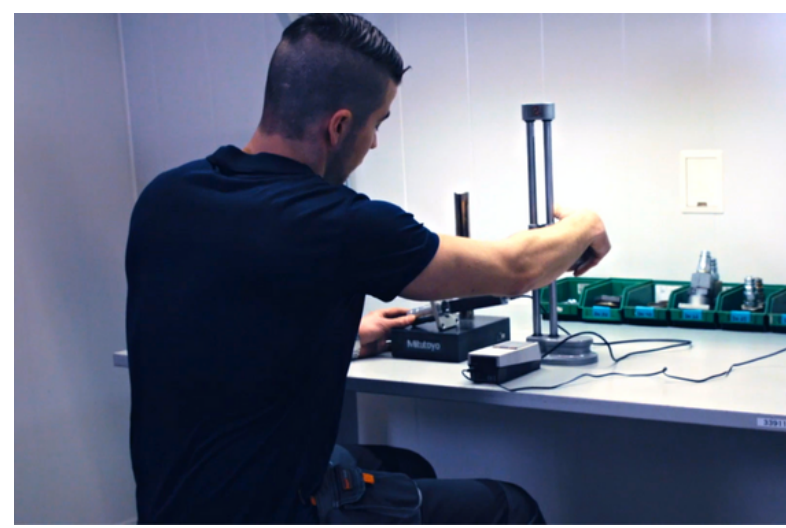


DN80



Part No	Description	Material
1	Body	1.4404
2	Stem	1.4404
3	Ball	1.4404
4	Thrust Washer	PTFE
5	Stem Packing	PTFE
6	Ring	1.4404
7	Locking Washer	1.4404
8	Spring Washer	1.4404
9	Hex Nut	1.4404
10	Handle	1.4404/Rubber
11	Locking Washer	1.4404
13	Seal Support	1.4404
14	Ball Seal	PTFE/PTFE-C
15	O-Ring	PTFE
16	End Seal	1.4404
17	Welding End	1.4404







"For us the quality is the key"

Maper Oy
Kuukuja 12
33420 Tampere
FINLAND

www.maper.fi
+358 40 867 3440
myynti@maper.fi

